

PROCYON

GHID DE INSTALARE

INSTALLATION GUIDE

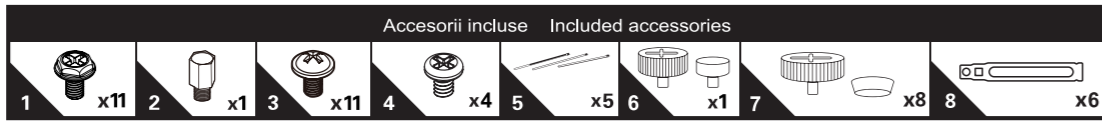
RO / EN

RO

A: Scoateți panourile laterale și panoul frontal.
B: Instalați sursa de alimentare.
C: Instalați placa de baza.
D: Instalați ventilatoarele.
E: Instalați HDD-ul sau SSD-ul (hard-disk drive/solid-state drive).
F: Instalați placa grafică (VGA).

EN

A: Remove the side panels and front panel.
B: Install the power supply (PSU).
C: Install the motherboard (MB).
D: Install the fans.
E: Install the hard-disk drive or the solid-state drive (HDD or SSD).
F: Install the graphics card (VGA).



RO

• Va rugăm să desurubați suruburile înainte de scoaterea panourilor laterale.
• Va rugăm să scoateți panourile laterale înainte să scoateți panoul frontal.

EN

• Please remove the screws before removing the side panels.
• Please remove the side panels before removing the front panel.

RO

• Înainte de montarea sursei va rugăm să scoateți suportul acesteia din carcasa.

EN

• Please remove the PSU frame before installation.

RO

• Va rugăm să vă asigurați că găurile de prindere pentru suruburi sunt poziționate corect.

EN

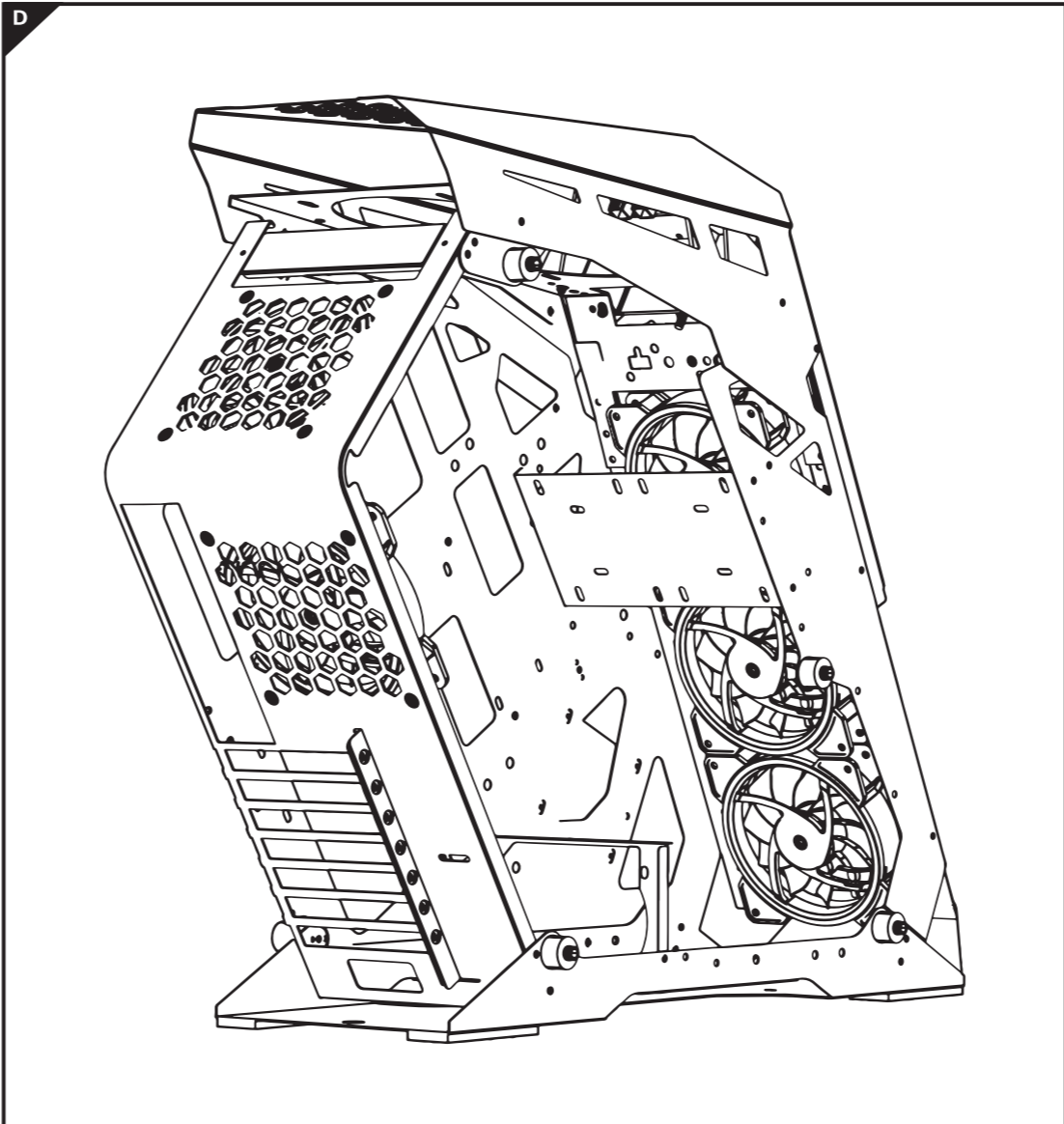
• Please make sure that the threaded holes are positioned correctly.

RO

• După fixarea sursei în suportul dedicat, o puteți instala în carcasa conform imaginii de mai sus.

EN

• After attaching the frame to the PSU, you can install the PSU inside the case, as shown above.



RO

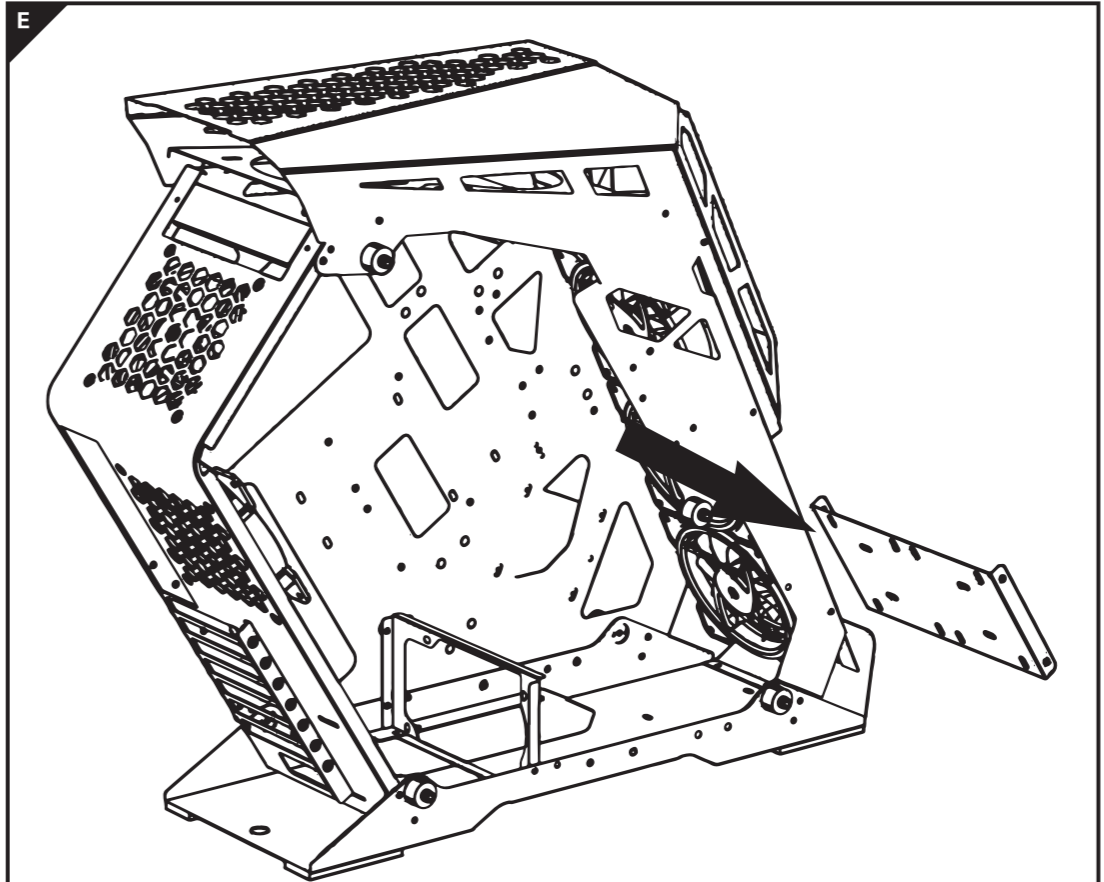
• Ventilatoare acceptate (maxim):
- Frontal: 3 x 120mm
- Spate: 2 x 120mm
- Tavan: 2 x 120mm

• Pentru performanțe superioare carcasa permite folosirea unui sistem de racire cu lichid, oferind posibilitatea instalării radiatoarelor:
- Frontal: 120 / 240 / 360mm (radiatoare slim)
- Tavan: 120 / 240mm (radiatoare slim)
- Spate: 120mm (radiatoare slim)

EN

• Supported fans (maximum):
- Front: 3 x 120mm
- Back: 2 x 120mm
- Top: 2 x 120mm

• For superior performance, the chassis allows the use of a liquid cooling system, offering the possibility of installing radiators:
- Front: 120 / 240 / 360mm (slim radiators)
- Top: 120 / 240mm (slim radiators)
- Back: 120mm (slim radiators)

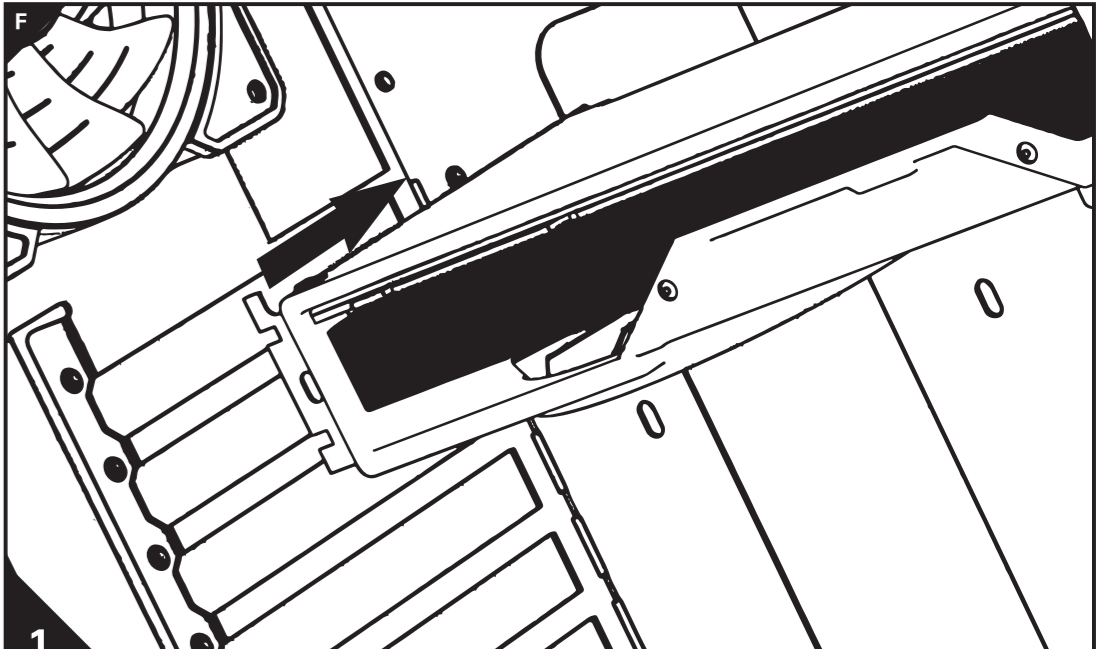


RO

• Pentru instalarea HDD-ului în suportul dedicat, respectați ilustrația 1.
• Pentru instalarea SSD-ului/unor în suportul dedicat, respectați ilustrația 2.

EN

• For HDD installation in the dedicated slot, please follow illustration 1.
• For SSD installation in the dedicated slot, please follow illustration 2.



RO

• Scoateți capacul de protecție al sloturilor PCI. Instalați placa grafică și fixați-o cu surub.

EN

• Remove the PCI slot protection cover. Install the graphics card and secure it with a screw.

PANOU I/O

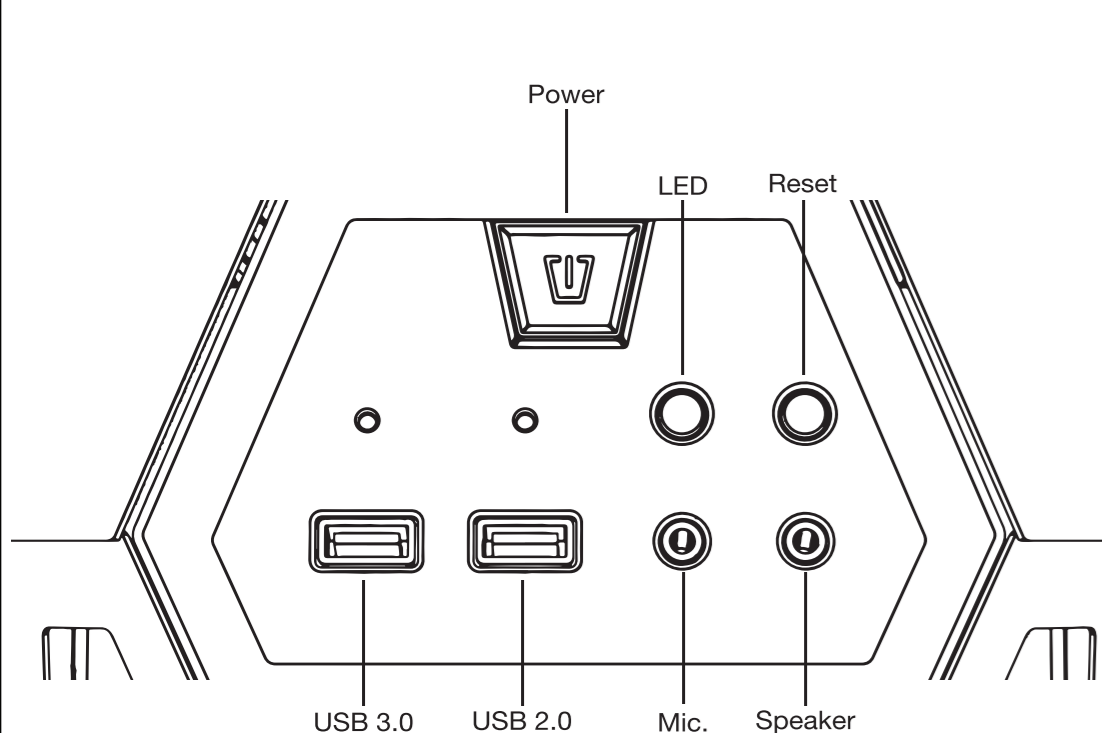
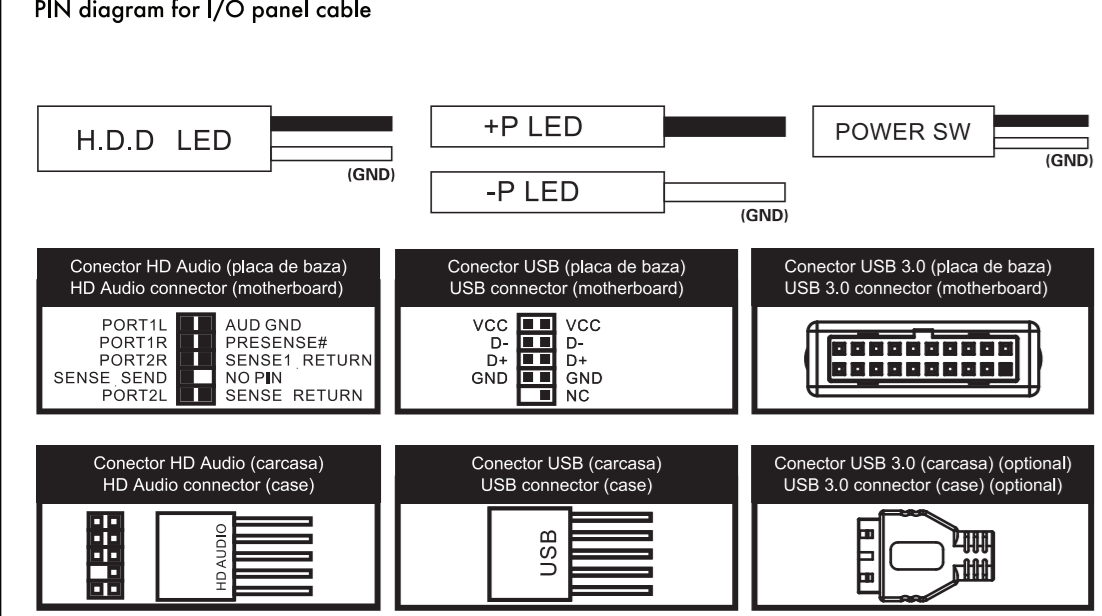


Diagrama pinilor pentru cablul panoului I/O



SUPPORT

RO Dacă întâmpinați erori sau orice alte probleme în utilizarea produsului nu ezitați să ne contactați.

EN If you encounter errors or any other problems with the product don't hesitate to contact us.

support@aqirys.com

SCAN ME (product page)

SCAN ME (Follow us)

© AQIRYS®. All rights reserved. AQIRYS® name and logo and all other related products, service names, and design marks are trademarks or registered trademarks of PC-coolers SRL. All other brand names and trademarks are the property of their respective owners. Specifications and design are subject to change without notice due to product improvements.

HUB & CONTROLLER ARGB

RO

A: Conector cu 6 pini pentru ventilator (suporta maxim 10 ventilatoare)
B: Conector alimentare SATA pentru sursa
C: Conector cu 4 pini pentru bara LED (opțional)
D: Conector pentru butonul LED al carcasei
E: Conector 5V cu 3 pini pentru header-ul ARGB al plăcii de bază

EN

A: 6-pin fan connector (support up to 10 fans)
B: SATA power connector (PSU)
C: 4-pin connector for LED bar (optional)
D: Connector for the I/O panel LED Button
E: 3-pin 5V connector for motherboard ARGB header

FUNCTIILE TELECOMENZII

RO

On : Activeaza iluminarea
AUTO : Mod demo
Off : Dezactiveaza iluminarea
S+ / S- : Controlarea viteza ventilatoarelor
M+ / M- : Schimba modul de iluminare
☞ / ☜ : Ajusteaza luminozitatea ventilatoarelor
Colors : Ilumineaza ventilatoarele in culoarea selectata
M/B : Tineți apăsat butonul timp de 2-3 secunde pentru a activa controlul iluminării prin placa de bază.

EN

On : Illumination On
AUTO : Demo Mode
Off : Illumination Off
S+ / S- : Fan speed control
M+ / M- : Change the illumination mode
☞ / ☜ : Adjust the brightness of the fans
Colors : Illuminates the fans in the selected color
M/B : Press and hold the button for 2-3 seconds to activate the control of the illumination through the motherboard.

REGLEMENTARI

RO

Unauthorized repairs or disassembly of the product will void the warranty and may cause its damage.
This product is safe and complies to EU requirements. (compliant with directive EMC (2014/30/UE))
This product is manufactured conforming with the European RoHS standard. (compliant with directive RoHS 2.0 (2015/863/UE))
Using the WEEE symbol (the crossed-out bin) indicates that the electrical and electronic equipment inside the package can be recycled. When recycling waste properly, you protect the environment and people's health. Recycled household waste collection, aids recycle materials and components used for the production of this device. For detailed information about recycling, please contact your retailer or a local authority.

EN

Unauthorized repairs or disassembly of the product will void the warranty and may cause its damage.
This product is safe and complies to EU requirements. (compliant with directive EMC (2014/30/UE))
This product is manufactured conforming with the European RoHS standard. (compliant with directive RoHS 2.0 (2015/863/UE))
Using the WEEE symbol (the crossed-out bin) indicates that the electrical and electronic equipment inside the package can be recycled. When recycling waste properly, you protect the environment and people's health. Recycled household waste collection, aids recycle materials and components used for the production of this device. For detailed information about recycling, please contact your retailer or a local authority.

REGLEMENTARI

RO

Neoprăvnene opravy alebo demontáž výrobku vedú k zrušeniu záruky a môžu spôsobiť jeho poškodenie.
Jedná sa o bezpečný výrobok v súlade s požiadavkami EÚ. (Respektuje smernicu o EMC (2014/30/UE))
Tento produkt je vyrobený v súlade s evropskou normou RoHS. (spĺňa smernicu RoHS 2.0 (2015/863/UE))
Použitie symbolu WEEE (odpadkový koš, ktorý je prekrýtný s X) naznačuje, že elektrické a elektronické zariadenia z vnútra balenia sú vhodné na recykláciu. Ak riadne recyklujete odpad, chránite životné prostredie. Selektívny zber pomáha recyklovať materiály a komponenty používané pri výrobe tohto zariadenia. Za podrobnejšie informácie o recyklácii, kontaktujte prosím predajcu alebo miestne úrady.

EN

Unauthorized repairs or disassembly of the product will void the warranty and may cause its damage.
This product is safe and complies to EU requirements. (compliant with directive EMC (2014/30/UE))
This product is manufactured conforming with the European RoHS standard. (compliant with directive RoHS 2.0 (2015/863/UE))
Using the WEEE symbol (the crossed-out bin) indicates that the electrical and electronic equipment inside the package can be recycled. When recycling waste properly, you protect the environment and people's health. Recycled household waste collection, aids recycle materials and components used for the production of this device. For detailed information about recycling, please contact your retailer or a local authority.

DECLARATIE DE CONFORMITATE

Noi, S.C. PC-coolers S.R.L. cu sediul social in Bucuresti, strada Matei Basarab, nr. 98, bloc 86, scara 2, etaj 3, apartament 40, sector 3, cu certificat de inregistrare seria J40/1005/2005 prin reprezentant legal Director General Bogdan Bistreaanu, asiguram, garantam si declaram pe propria raspundere, conform prevederilor din: HG 487/2016 (privind compatibilitatea electromagnetica), HG 409/2016 (privind stabilirea conditiilor pentru punerea la dispozitie pe piata a echipamentelor electrice de joasa tensiune), OUG 5/2015 (privind deseurile de echipamente electrice si electronice) si HG 322/2013 (privind restrictiile de utilizare a anumitor substante periculoase in echipamentele electrice si electronice), ca produsul:

Tip produs	Brand	Denumire marketing	Numar model
Carcasa PC	AQIRYS	Procyon	Procyon

RoHS 2.0 (2015/863/UE), EMC (2014/30/UE)

si urmatoarele Standarde Europene:

EN 55032:2015+A 11:2020
EN 61000-3-2:2019
EN 61000-3-3:2013+A 1:2019
EN 55035: 2017+A 11:2020
IEC 62321-3-1:2013
IEC 62321-3:2013
IEC 62321-6:2015
IEC 62321-7:1:2015
IEC 62321-4:2013+AMD 1:2017
IEC 62321:2008 ANNEX C

Produsul este marcat "CE".

Prezenta declaratie fost completata conform documentelor emise de catre fabrica.

Importator si Distribuitor in Romania: SC PC-coolers SRL
Adresa: Calea Vitan 154-158, sector 3, Bucuresti, Romania
☎ 031.433.7200 | ✉ office@pc-coolers.ro | 🌐 www.pc-coolers.ro